

wilson

COMMERCIAL

PRESSURE VESSELS



Long Life • Stainless Steel

No one knows hot water like...

wilson

industrial • commercial • domestic **hot water**



wilson
COMMERCIAL
PRESSURE VESSELS



MPISU Mains Pressure Industrial Storage Vessels

Wilson Hot Water manufactures high quality, long service life vessels for projects that require large volume hot or chilled water storage. The MPISV vessel is manufactured in sizes from 400 litres to 5000 litres and are manufactured from high grade Duplex 2205 stainless steel.

Vessels can be heated by boiler, calorifier coil, solar thermal, heat pump, electric elements and/or a combination.



Calorifier Finned Tube Heating Coils

- High thermal performance output
- Compact design
- kW ratings from 22 to 155
- Multiple coils per vessel
- Ready-to-install by Table 'E' flange



* Refer to warranty card for details.

MPISU Specifications

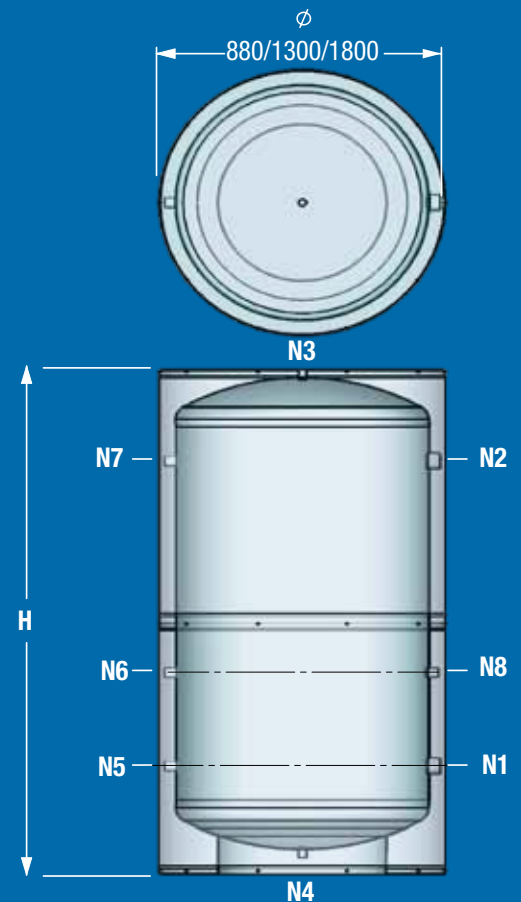
Model	Capacity (Litres)	Diameter mm	Height (H) Est. mm	Weight Empty Est. Kg
MPISV400	400	880	1090	115
MPISV650	650	880	1640	140
MPISV800	800	880	1940	159
MPISV1000	1000	880	2440	182
MPISV1500	1500	1300	1840	260
MPISV2000	2000	1300	2280	310
MPISV2500	2500	1300	2740	360
MPISV3000	3000	1300	3190	400
MPISV4000	4000	1800	2120	1100
MPISV5000	5000	1800	2570	1200

Refer to diagram below

MPISU Technical Data

Standard Connections		
Fitting	Size	Nominal Connections
N1	DN 50mm BSP Socket	Inlet to Boiler
N2	DN 50mm BSP Socket	Outlet
N3	DN 25mm BSP Socket	Outlet
N7	DN 25mm BSP Socket	PTR Valve
N8	DN 50mm BSP Socket	From Boiler

Optional Connections	
Fitting	Size
N4	DN 50mm BSP Socket
N5	DN 50mm BSP Socket
N6	DN 50mm BSP Socket



MPISU Design Data

- Mains Pressure Stainless Steel cylinder - Duplex 2205
- Polyurethane foam insulation
- Designed to AS1210
- Vessels are watermark approved
- 10 year warranty*

wilson
COMMERCIAL
PRESSURE VESSELS



Long Life · Stainless Steel

No one knows hot water like...

FREE CALL
1800 302 050
sales@wilsonhotwater.com.au
www.wilsonhotwater.com.au

wilson
Unit 4/54 Malvern Street Bayswater
Victoria 3153 Australia