

# **wilson**

## ***Chemical Dosing Pot***



**For Closed  
Circulating Systems**

*No one knows hot water like...*

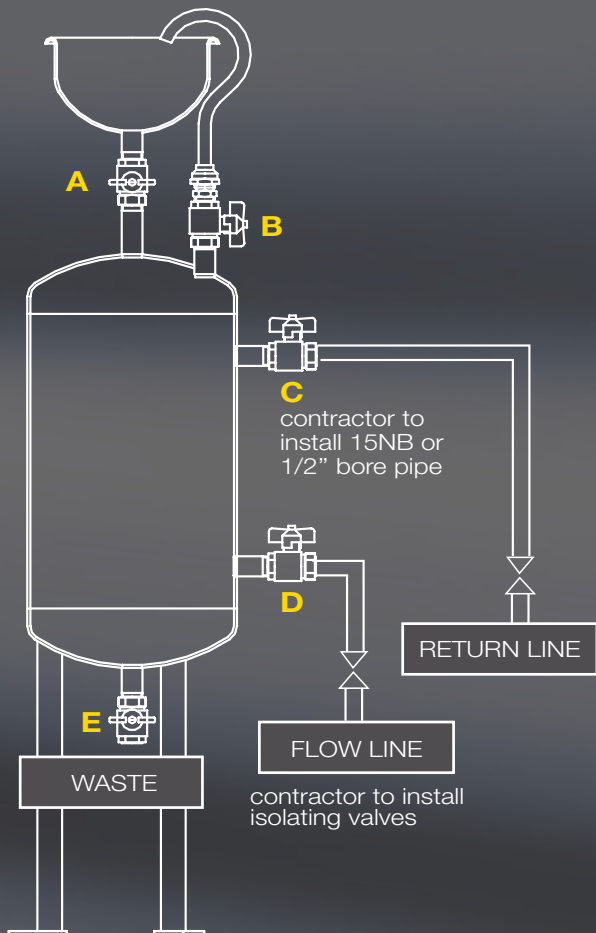
**wilson**

industrial . commercial . domestic **hot water**



## For closed circulating systems

Specifications below are based on grade 304 stainless steel and stainless steel overflow. All other sizes are made to order. All sizes made to order in grade 316 stainless steel. Higher pressure ratings are available.



## Directions for Installation for a typical 14 litre dosing pot

- Valve D** must be connected to the flow line, or circulating pump discharge line.
- Valve C** must be connected to the return line, or circulating pump suction line.
- Valve E** is connected to the trade waste water system.

## Directions for Operation

- Close isolating **Valves C & D**.
- Open dosing pot fill **Valve A**, air-venting **Valve B**, & drain **Valve E**, to empty pot.
- Close drain **Valve E**, and fill the dosing pot with the appropriate product through the funnel.
- Close **valves A & B** to seal pot.
- Open isolation **Valves C & D** to allow circulation through the pot into the system to be treated.
- Allow sufficient time for chemical treatment to be flushed into the main system.
- Close **Valves C & D** to isolate the pot from the main system.

# Dosing Pot Sizes & Specifications

## Stock item

Item #	Description	Diameter x Nominal Height	Weight unfilled	Standard Pressure & Temperature
WILDP14	14LT Dosing Pot	216mm x 915mm	6.7 Kg	1MPa at 99°C

## Made to Order

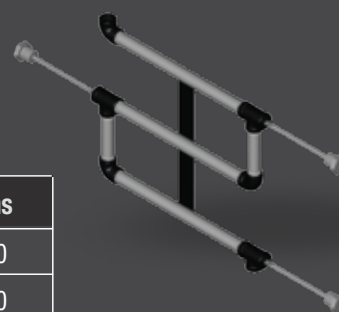
Item #	Description	Diameter x Nominal Height	Weight unfilled	Standard Pressure & Temperature
WILDP07	7LT Dosing Pot	216mm x 740mm	5.2 Kg	1MPa at 99°C
WILDP15	15LT Dosing Pot	216mm x 970mm	6.7 Kg	1MPa at 99°C
WILDP20	20LT Dosing Pot	216mm x 1100mm	8.2 Kg	1MPa at 99°C
WILDP25	25LT Dosing Pot	216mm x 1230mm	9.3 Kg	1MPa at 99°C
WILDP40	40LT Dosing Pot	318mm x 1090mm	12.3 Kg	1MPa at 99°C
WILDP45	45LT Dosing Pot	318mm x 1145mm	13.1 Kg	1MPa at 99°C



## Coupon Racks Specifications

We also build corrosion coupons and racks.

Item #	Pipe Diameter	Description	Dimensions
HCM0500	3/4"	2 port corrosion coupon pack	450 x 220
HCM0510	3/4"	3 port corrosion coupon pack	450 x 380



**wilson**  
Chemical Dosing Pot

**wilson**  
**Chemical Dosing Pot**



**For Closed  
Circulating Systems**

*No one knows hot water like...*

**FREE CALL**

**1800 302 050**

[sales@wilsonhotwater.com.au](mailto:sales@wilsonhotwater.com.au)

[www.wilsonhotwater.com.au](http://www.wilsonhotwater.com.au)

**wilson**

Unit 4/54 Malvern Street Bayswater  
Victoria 3153 Australia