

wilson

Marine Hot Water Systems



**Long Life Commercial
Grade 2205 Duplex High Tensile
Stainless Steel**

CERTIFICATE OF ORIGIN & GREEN PASSPORT SUPPLIED:



No one knows hot water like...

wilson

industrial . commercial . domestic **hot water**



Electric Calorifier Control Panel mounted



Electric Control Panel

Wilson Marine Hot Water Calorifiers are designed & manufactured in the highest grade stainless steel.

Wilson specialise in customer satisfaction, endeavouring to design specific to your requirements & needs to manufacture high quality robust products.

Our aim is to ensure the Mechanical Engineers designs receive a successful outcome to the ship owners satisfaction. Wilson calorifiers are manufactured from the highest grade stainless steel, using high quality electrical and mechanical components.

Wilson Electric Calorifiers can be integrated using Steam Heating for Marine applications.

Electric **Instantaneous Hot Water**



300 Litre - 10,000 Litre capacities available

Electric **Systems**

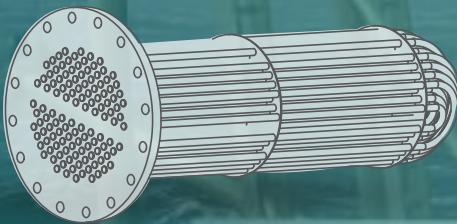
- Electric & Dual heating calorifiers available
- Control panel supplied separately
- Plug and play controls
- Control panel mounted on heater
- Full package including skid & pumps

wilson
Marine Hot Water Systems

Electrical & Steam Design **Specifications**

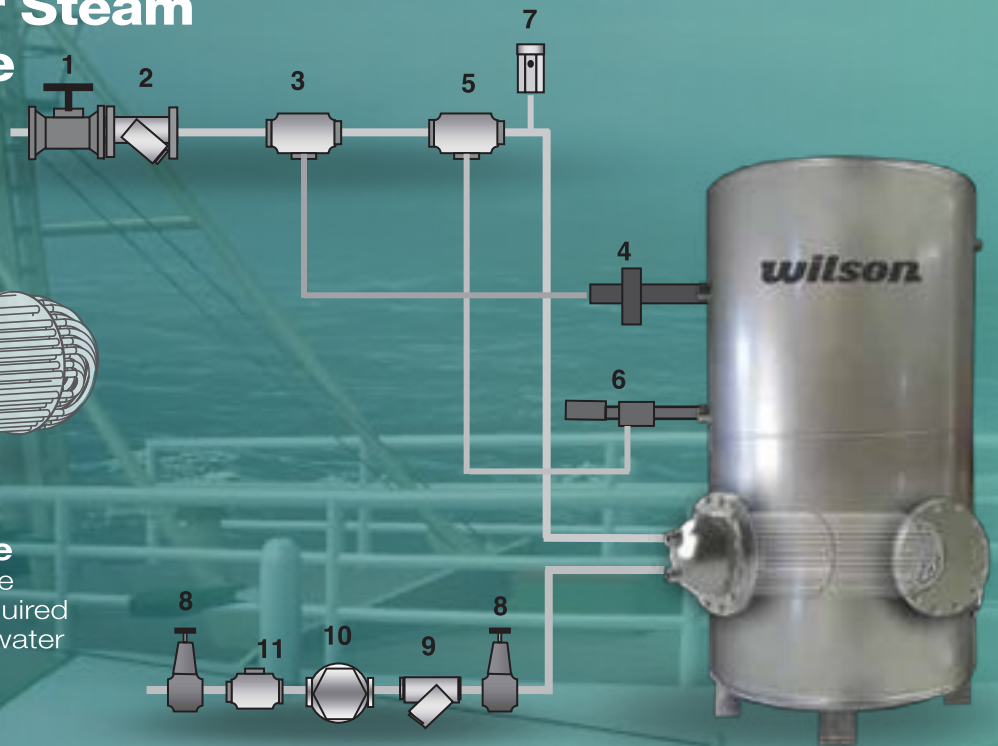
Design Data - Specifications			
Design Standard:	AS 1210- 2010	Classification:	Class 2B
Design Life:	20-30 Years	Hazard Level (AS 4343 - 2005):	Haz. Level C
Design Pressure (max):	690 kPa	Hydrostatic Test Pressure:	1050 kPa
Maximum Supply Pressure:	550 kPa	Designed Operating temperature:	70°C
Material Type:	Grade 2205 - A.S.T.M A240 UNS:S31803 "Heat Exchange Stainless Steel" Comp: 22Cr-5Ni-3Mo		

Shell & Tube or Steam Heated Storage Calorifiers



U tube heat exchange

With Tube Plate & Bonnet we can manufacture to your required kW rating to meet your hot water demands.



Typical installation guide - P&ID
(Piping and Instrumentation Diagram)

Steam features

- Steam Heated Storage hot water or optional Shell & Tube Heat Exchange
- Fast recovery steam heated hot water
- Manufactured for your specific hot water demands
- Also Skid mounted packages available to include Ring-Main Circulation pump & controls

High Quality **Incoloy 825** elements - all ratings & voltages



Control Panel

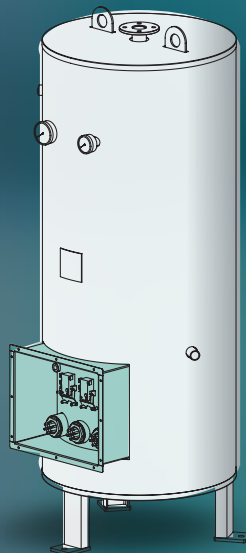


Flanged Electric Element

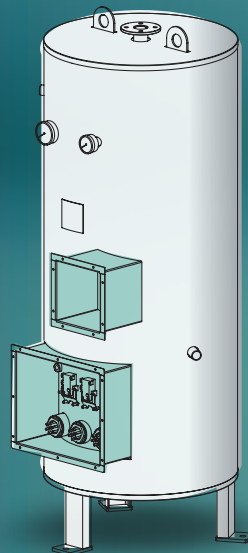


Plug & Play

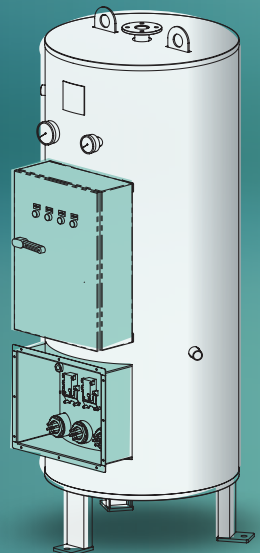
Electric Hot Water Calorifier **Systems**



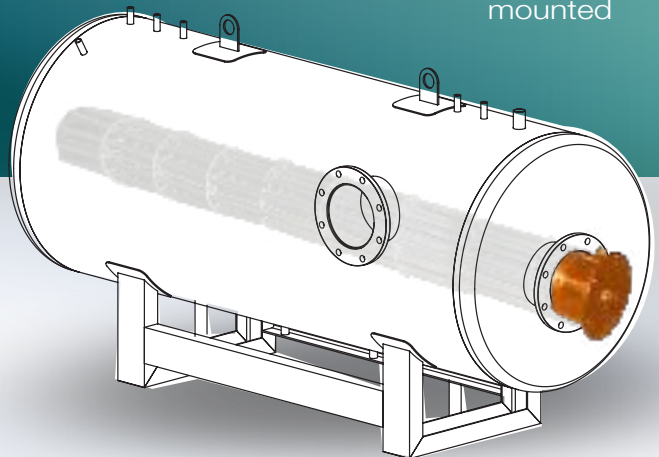
Control Panel Separate



Plug and Play Controls



Control Panel attached and mounted



Horizontal Electric Calorifier

Wilson design specifically for your application & Hot Water demands. Designs include Horizontal & Vertical configuration plus skid mounted packages.

DNV-ABS Inspection certificate available – P.O.A

wilson
Marine Hot Water Systems



Chevron Wheatstone LNG Platform

Wilson supplied electric calorifier packages.



Servicing Australasia & South East Asia

Additional Products

Explosion Proof Exhaust Fan

including motor designed for Hazardous, General purpose & Industrial applications.



Thermostatically Controlled Heating Elements

Designed for Hazardous heating applications including the Oil & Gas Drilling industries



Explosion Proof Space Heating Heavy Duty Air Heaters

for Hazardous, General purpose & Industrial applications.

CE IP55



Electric Circulation Heater

100-500 kW to supply instantaneous hot water directly or circulating into larger storage vessel for high demand hot water applications.



Other Products include:

- Fire & flame proof certified space heating (gas or electric)
- Fire & flame proof certified exhausts
- Fire & flame proof immersion heaters for all applications
- Pump systems & other vessels for fresh water fuel & hydrophore applications

wilson
Marine Hot Water Systems

wilson

Marine Hot Water Systems



**Long Life Commercial
Grade 2205 Duplex High Tensile
Stainless Steel**

When Quality is Important choose...

wilson

+61 3 9720 2888

sales@wilsonhotwater.com.au

www.wilsonhotwater.com.au

DISTRIBUTED BY:

