

wilson

GRAVITY FEED / OPEN VENTED
HOT WATER HEATERS



Gravity Feed Water Heaters

Wilson Open Vented & Gravity Feed Water Heaters are low pressure solutions for your ceiling or floor applications.

Design & Features:

- High grade copper cylinder & steel case
- Polyurethane side mounted cold water feed tank
- Customised connections for solar, stove, existing layout
- Optional - Mains pressure copper coil.



Heat Exchange Coils available:
19mm & 27mm

Getting the job done

wilson
CUSTOMISED HOT WATER



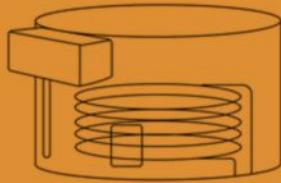
Ceiling Mount Hot Water Heaters

Wilson low pressure water heaters are designed to be conveniently installed in the ceiling space. The water heaters are supplied complete with a compact polyethylene cold water feed tank, float and ball valve.

Wilson units are manufactured from high-quality copper, fully insulated, and protected by a galvanized steel casing - combining performance, efficiency, and durability in one smart solution.

Available in:

Heat Exchange coils ceiling mounted 19mm & 27mm.



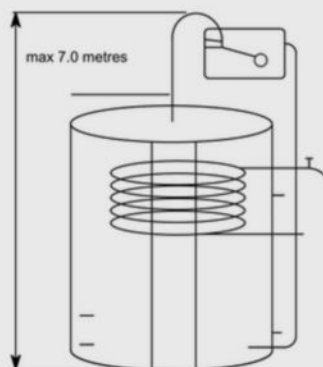
SF Ceiling Mounted Gravity feed unit

Floor Mount Hot Water Heaters

Wilson floor type electric hot water systems are constructed of solid copper, enclosed in an extremely efficient insulation with a Painted Steel outer steel case.

Gravity Feed water heaters are naturally vented and ideal for:

- Alternative heat sources, such as solar and stove
- Off-grid
- Rainwater tanks
- Energy efficient hot water.



OV Floor Mounted Gravity feed unit

Custom built to your specifications available

Standard Electric

Supplied with side feed tank, complete with float valve. Includes: electric element.

Model	Volume	Diameter (mm)	Height (mm)
SF250	250L	860	750
SF315	315L	860	880
SF400	400L	860	1100

Mains Pressure Coil

Supplied with side feed tank, complete with float valve. Includes: 25mm stove & solar connections including electric element.

Model	Volume	Diameter (mm)	Height (mm)	Coil Size (mtr x mm)
SF250C	250L	860	750	27 x 19
SF315C	315L	860	880	27 x 19
SF315C1	315L	860	880	36 x 19
SF400C	400L	860	1100	27 x 19
SF400C1	400L	860	1100	36 x 19

Standard Electric

For use with separate cold feed tank (Not Supplied)

Available Options: B=Booster Twin Element, FR=Stove Connections, S=Solar Connections.

Model	Volume	Diameter (mm)	Height (mm)
OV250	250L	660	1255
OV315	315L	660	1575
OV400	400L	790	1365

Mains Pressure Coil

For use with separate cold feed tank (Not Supplied)

Includes 25mm stove & solar connections including electric element.

Model	Volume	Diameter (mm)	Height (mm)	Coil Size (mtr x mm)
OV250C	250L	660	1255	27 x 19
OV250XC	250L	790	920	27 x 19
OV315C	315L	660	1575	27 x 19
OV315C1	315L	660	1575	36 x 19
OV315XC	315L	790	1085	27 x 19
OV315XC1	315L	790	1085	36 x 19
OV400XC	400L	790	1365	27 x 19
OV400XC1	400L	790	1365	36 x 19

Getting the job done

T: +61 3 9751 7788 E: sales@wilsonhotwater.com.au W: wilsonhotwater.com.au

wilson
CUSTOMISED HOT WATER

59 Barry Street Bayswater Vic 3153